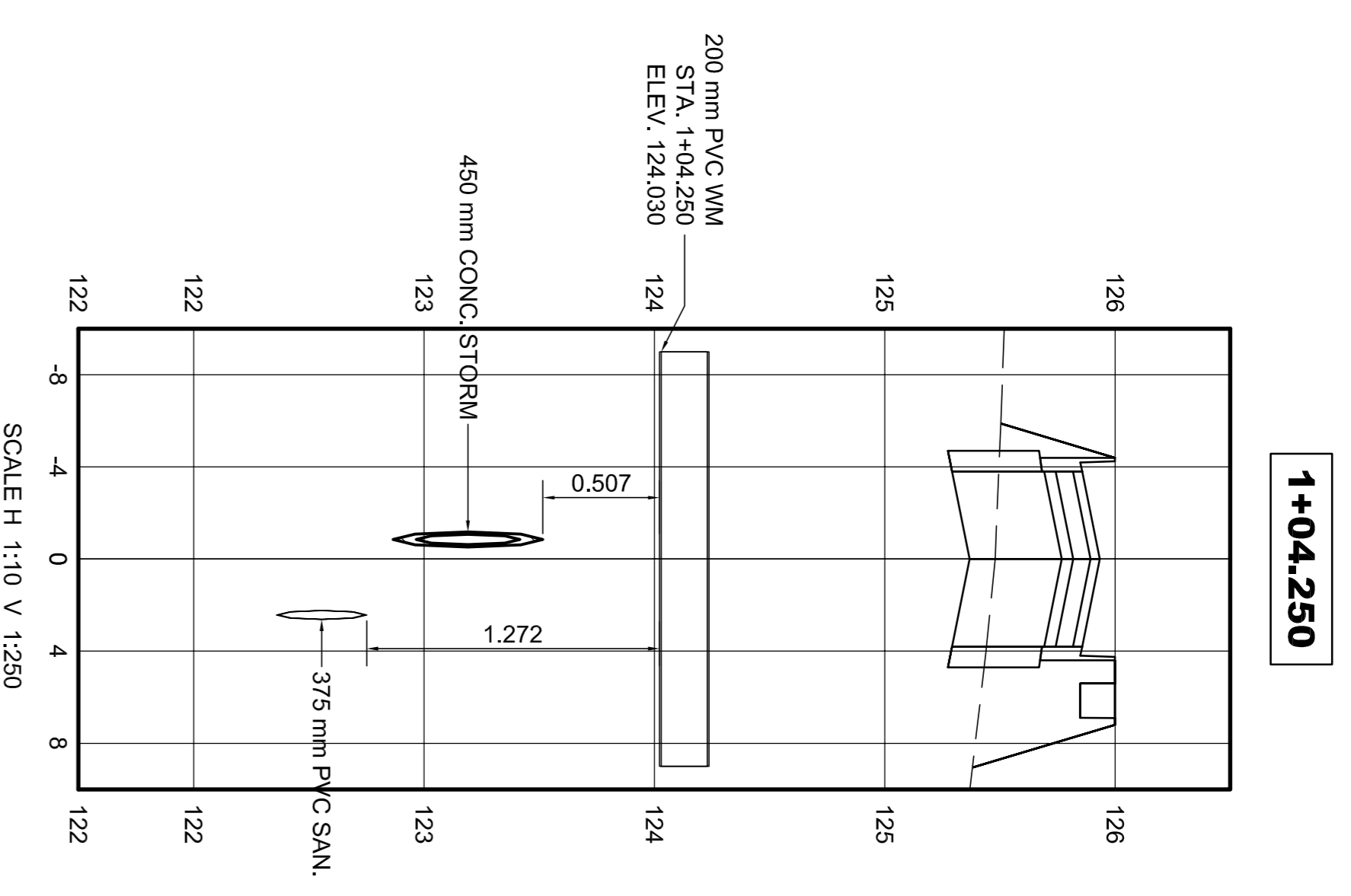
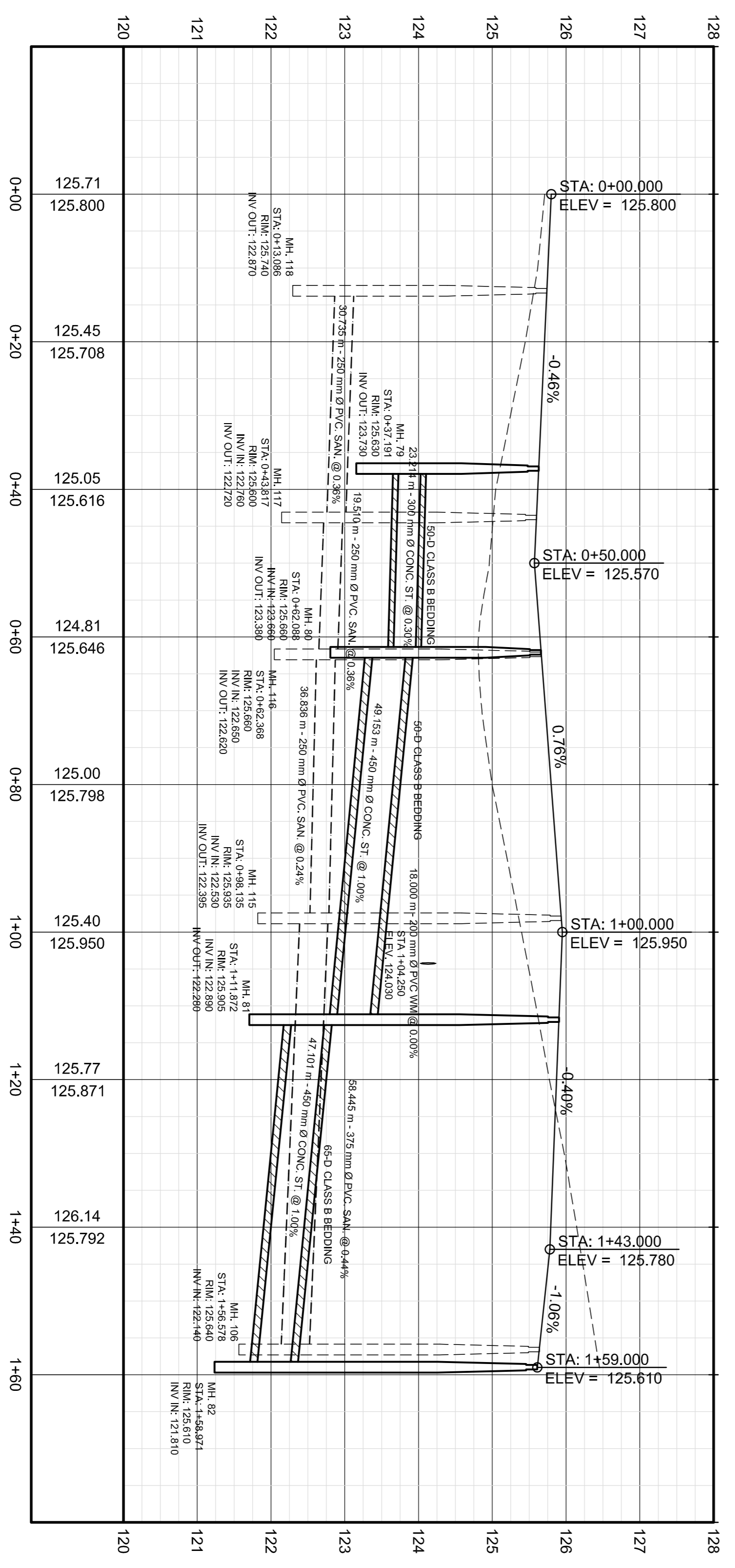


JOHN STREET

JOHN STREET PROFILE



1+04.250

STRUCTURE	STATION	OFFSET	COORDINATES	MANHOLE DIAMETER
MH. 79	0+37.191	-1.529 L	N: 396.958 E: 410.542	1200
MH. 80	0+62.088	-0.329 L	N: 375.849 E: 400.982	1200
MH. 81	1+11.872	-0.419 L	N: 337.769 E: 432.062	1200
MH. 82	1+58.971	-0.001 L	N: 302.746 E: 463.555	1200

STRUCTURE	STATION	OFFSET	COORDINATES	MANHOLE DIAMETER
MH. 118	0+13.086	1.004 R	N: 417.149 E: 424.051	1200
MH. 117	0+43.817	0.506 R	N: 393.148 E: 404.851	1200
MH. 116	0+62.368	2.876 R	N: 374.918 E: 397.901	1200
MH. 115	0+98.135	2.476 R	N: 345.948 E: 420.651	1200
MH. 106	1+56.578	2.017 R	N: 303.148 E: 460.451	1200

NIAGARA COLLEGE OF APPLIED ARTS & TECHNOLOGY	
JOHN STREET SAN. & STORM SEWER STATION 0+00 - 1+59.066	
DR BY: DARRYL MURRAY	SHEET 1 OF 1
CH BY:	DWG No.
DATE: 12/02/2011	A10.D
SCALE: H 1:500 V 1:50	