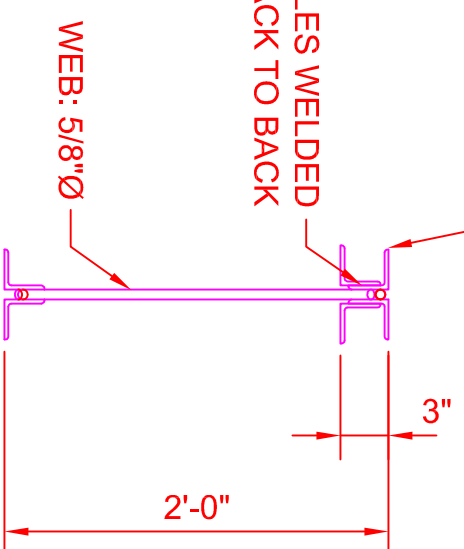


ALL ANGLES: 2 1/2" X 2 1/2" X 1/4"
WITH 3/16" RAD. @ CORNERS

ANGLES WELDED
BACK TO BACK

WEB: 5/8"Ø



**NIAGARA COLLEGE OF
APPLIED ARTS AND TECHNOLOGY**

24" OWSJ

DR BY:	DARRYL MURRAY	SHEET 1 OF 1
CH BY:		DWG No.
DATE:	FEBRUARY 6 2011	A3
SCALE:	1" = 1'	